



Engine	Ashok Leyland
Gross Power	160 HP (118 kW)
Operating Weight	11,660 kg
Payload Capacity	3,600 kg
Standard Bucket	2.2 m <sup>3</sup>

# 836N

## WHEEL LOADER

TOUGH WORLD. TOUGH EQUIPMENT.

# 836N SPECIFICATIONS >>>



## OPERATING WEIGHT 11660 KG

### ENGINE

Ashok leyland, 6 cylinder turbocharged engine with air intercooler offers best in class power and torque . Specially designed LSCHT helps to improve fuel efficiency.

Manufacturer	Ashok Leyland
Model	H6C416022
Emmission Regulation	CEV Stage IV
Gross Power	160 HP (118 kW) @ 2200 rpm
Peak Torque	650 N-m @ 1400-1600 rpm
Displacement	5.76 L
Aspiration	Turbocharged
Number of Cylinders	6

### BUCKET RANGES

Heavy duty big buckets are designed to offer high output, breakout force and fill factor.

Light Weight Material	3.2 m <sup>3</sup>
General Purpose Bucket	2.2 m <sup>3</sup>
Iron Ore Bucket	1.6 m <sup>3</sup>

### TRANSMISSION

Make	Liugong
Transmission Type	Powershift
Torque Convertor	Twin Turbine, Four Members
Number of Speed	Forward 2 / Reverse 1
Forward Speed F1 / F2	13 / 38 Km/hr
Reverse: R1	17 Km/hr

### AXLES

Make	LiuGong
Model & Type	Dry Type Axle Planetary Hub Reduction
Axle Oscillation	Front Fixed and Rear ±11°

### TIRES

Tire Size	17.5 - 25 - 16PR
-----------	------------------

### BRAKE SYSTEM

Service Brake	4 Wheel applied air over hydraulic with Independent circuit for front & rear axle
Parking Brake	Drum Brake Mechanical Actuation
Secondary Brake	Manually Applied on Low Pressure

### HYDRAULIC SYSTEM

Efficient and reliable hydraulics having single pump for work implement and steering system generating flow for optimum performance.

Main Pump Type	Gear Pump
Main Relief Pressure	21 Mpa
Main Pump Flow	197 LPM
Cycle Time	9 Sec
Control	Single Pilot Lever
Cylinders	Double Acting Cylinder

### STEERING SYSTEM

Steering Type	Articulation
Pump Type	Gear Pump
Steering Relief Pressure	17.2 Mpa
Steering System flow	197 LPM
Maximum Articulation Angle	± 38°

### CABIN

Ergonomically designed AC cabin has 4 working cab lights, wipers, adjustable seat, single joystick operated hydraulics with hand rest, music system, cup holder, large instrument panel for - (DEF level gauge, fuel level gauge, turn indicators, engine tachometer, engine coolant temperature gauge, transmission oil temperature gauge various status and warning indicators). Removable floor mat, laminated front glass, 02 External side view mirrors. AIS160 Compliant for safety and performance.

### ELECTRICAL SYSTEM

System Voltage	24 V
Battery	12 V x 2

### LOADER PERFORMANCE WITH STANDARD BUCKET 2.2 m<sup>3</sup>

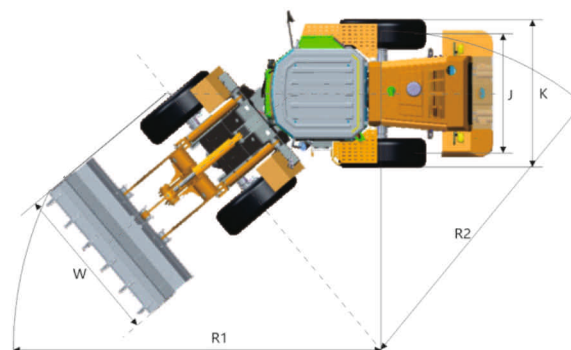
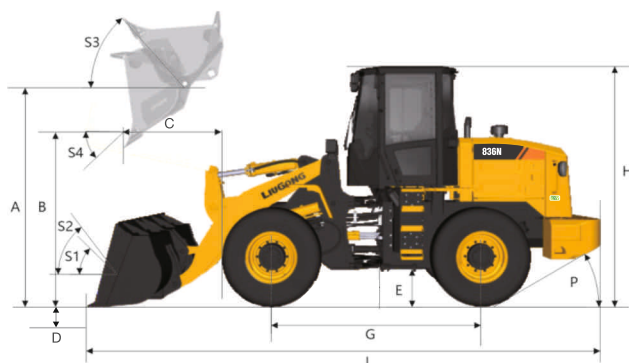
Tipping Load- Straight	8200 kg
Tipping Load- Full Turn	7200 kg
Bucket Breakout Force	120 kN
A-Hinge Pin Height, Fully Raised	3998 mm
B-Dumping Height, Fully Raised	2950 mm
C-Dumping Reach, Fully Raised	1060 mm
D-Max. Digging Depth	40 mm
E-Min. Ground Clearance	318 mm
G-Wheel Base	2870 mm
H-Overall Height (Top of Cab)	3340 mm
J-Tread Width	2054 mm
K-Overall Width (Outside of Wheel)	2500 mm
L-Overall Length	7400 mm
W-Overall Width of Bucket	2704 mm
P-Departure Angle	30°
S1-Bucket Rollback at Ground Level	41°
S2-Bucket Rollback at Carry	48°
S3-Bucket Roll Back at Maximum	60°
S4-Maximum Dump Angle at Full Height	45°
R1-Turning Radius (Outside of Bucket)	5750 mm
R2-Turning Radius ( Outside of Rear Wheel)	4900 mm

### SERVICE CAPACITIES

Fuel Tank	165 L
Engine Oil	18 L
Adblue	24 L
Cooling System	30 L
Transmission & Torque Convertor	34 L
Hydraulic System	103 L
Axle Oil Each	22 L

### OPTIONAL

- LiuGong i-link
- Certified ROPS/FOPS Cabin
- DGMS KIT
- Automatic Centralized Lubrication
- Automatic Fire Suppression System
- Rear View Camera
- Audio Visual Alarm
- Rotary Beacon
- Cabin Guard



All parameters within (±) 2.5% of the specified values. Specification are subject to change without notice  
LiuGong standard and optional equipment may vary from region to region. Please consult your LiuGong dealer for information specific to your area.

**Corporate office**  
**Liugong India Pvt. Ltd.**  
82, Okhla Industrial Estate, Phase III  
New Delhi- 110020  
Tel.: 011- 47272200  
www.liugong.com  
liugongindia.com

**Plant Address:**  
Plot No. 163, Industrial Area,  
Sector - III, Pithampur,  
Dist. - Dhar, Madhya Pradesh - 454774  
Tel.: 07292-416700

Mera LiuGong Mera Vishwas  
**1800 1033 852**