



Engine	Ashok Leyland
Gross Power	160 HP (118 kW)
Operating Weight	12,210 kg
Payload Capacity	3,850 Kg
Standard Bucket	2.4 m <sup>3</sup>

# 838H <sup>MAX</sup>

## WHEEL LOADER

TOUGH WORLD. TOUGH EQUIPMENT.





## REDEFINING PERFORMANCE

- A CLASS OF ITS OWN : Highest Payload | Highest Power & Torque | Biggest Bucket Size.
- Powered by a mighty 6 cylinders, turbocharged, intercooled, HPCRD<sub>i</sub> engine.
- LiuGong's own powertrain produces high traction force.
- High dump clearance and reach for easy centre filling (even for extended body trucks)

**BEST IN CLASS PAYLOAD**  
3850KG

**↑ 30% Payload**

**BIGGEST IN CLASS BUCKETS**  
GP 2.4m<sup>3</sup>  
COAL 3.5m<sup>3</sup>

**HIGHEST IN CLASS POWER & TORQUE**  
160HP | 650N.m

**↑ 28% Power**

Power of 6 Cylinders

Turbocharged-Intercooled

LiuGong's Powertrain

2950mm  
High Dump Clearance

Power of 6 Cylinders

Turbocharged-Intercooled

HPCRD<sub>i</sub>

LiuGong's Powertrain

High Dump Clearance

## EFFICIENCY BOOSTERS

- Low speed constant high torque engine, designed precisely for LiuGong's wheel loaders with fuel efficiency in mind.
- LiuGong's inhouse powertrain components ensure most efficient power transmission from engine to wheels.
- Torque converter with twin turbine technology for maximum traction with high fuel efficiency.
- LiuGong's inhouse hydraulic components fine tuned for faster response and efficient energy management.
- Easy Fill | High Fillfactor (EFHF) buckets penetrates easily in material heaps saving hydraulic energy and fuel.
- Liugong's i-link telematics provides fuel saving insights based on work pattern.

Efficient Powershift

LSCHT Engine

Twin Turbine Torque Converter

H Series  
Others

LiuGong i-Link

EFHF Buckets

## RELIABILITY COMMITMENT

- CE special engine for continuous long operating hours in dynamic duty cycles.
- 3 Stage fuel filtration and 3 stage air filtration keeps engine healthy and safe.
- Optimum cooling system to prevent overheating of components even in extreme hot weathers and long operating hours.
- Liugong's heavy duty powertrain, enhanced overtime with V.O.C and true wheel loader experience.
- FEA/CAE approved heavy duty robust structures made inhouse with best Indian steel grades.
- Timetested durable hydraulic components
- Extended counterweight for collision protection of engine hood.
- HD buckets with wear resistant special grade materials.

HD Z-Bar Mechanism

LiuGong's Heavy Duty Axles Transmission & Hydraulic Component

Hood Collision Protection

FEA / CAE Approved Robus Chassis Structures

## COMFORT BOOSTS PRODUCTIVITY

- Wide spacious air conditioned cabin.
- Easy and safe accessibility (in | out)
- All around visibility.
- Precise responsive single pilot lever Joystic.
- Smooth responsive footpadsels.

## MAXIMIZING UPTIME

- **Durable by design**, uncompromised long operating hours.
- **Proactive monitoring** empowered by LiuGong's Smart i-Link telematics.
- **Maintenance made easier** with increased service accessibility.
- **Here to serve**, Make in India with wide after sales network.

- Utilization | Efficiency boosting insight.
- Health and service monitoring
- Improved our proactive service planning



# 838H MAX SPECIFICATIONS >>>



## OPERATING WEIGHT 12210 KG

## ENGINE

Ashok leyland, 6 cylinder turbocharged engine with air intercooler offers best in class power and torque. Specially designed LSCHT helps to improve fuel efficiency.

Manufacturer	Ashok Leyland
Model	H6C416022
Emmission Regulation	CEV Stage IV
Gross Power	160 HP (118 kW) @ 2200 rpm
Peak Torque	650 N-m @ 1400-1600 rpm
Displacement	5.76 L
Aspiration	Turbocharged
Number of Cylinders	6

## BUCKET RANGES

Heavy duty big buckets are designed to offer high output, breakout force and fill factor.

Light Material Bucket	3.5 m <sup>3</sup>
General Purpose Bucket	2.4 m <sup>3</sup>
Iron Ore Bucket	1.8 m <sup>3</sup>

## TRANSMISSION

Make	Liugong
Transmission Type	Powershift
Torque Converter	Twin Turbine, Four Members
Number of Speed	Forward 2 / Reverse 1
Forward Speed F1 / F2	13 / 38 Km/hr
Reverse: R1	17 Km/hr

## AXLES

Make	LiuGong
Model & Type	Dry Type Planetary Hub Reduction
Axle Oscillation	Front Fixed and Rear ±11°

## TIRES

Tire Size	17.5-25-16PR
-----------	--------------

## BRAKE SYSTEM

Service Brake	4 Wheel applied air over hydraulic with Independent circuit for front & rear axle
Parking Brake	Drum Brake Mechanical Actuation
Secondary Brake	Manually Applied on Low Pressure

## HYDRAULIC SYSTEM

Efficient and reliable hydraulics having single pump for work implement and steering system generating flow for optimum performance.

Main Pump Type	Gear Pump
Main Relief Pressure	21 Mpa
Main Pump Flow	197 Lpm
Cycle Time	9 Sec
Control	Single Pilot Lever
Cylinders	Double Acting Cylinder

## STEERING SYSTEM

Steering Type	Articulation
Pump Type	Gear Pump
Steering Relief Pressure	17.2 Mpa
Steering System flow	197 LPM
Maximum Articulation Angle	± 38°

## CABIN

Ergonomically designed AC cabin has 4 working cab lights, wipers, adjustable seat, single joystick operated hydraulics with hand rest, music system, cup holder, large instrument panel for - (DEF level gauge, fuel level gauge, turn indicators, engine tachometer, engine coolant temperature gauge, transmission oil temperature gauge various status and warning indicators). LiuGong i-link, removable floor mat, laminated front glass, 02 External side view mirrors. AIS160 Compliant for safety and performance.

## ELECTRICAL SYSTEM

System Voltage	24 V
Battery	12 V x 2

## LOADER PERFORMANCE WITH STANDARD BUCKET 2.4 M<sup>3</sup>

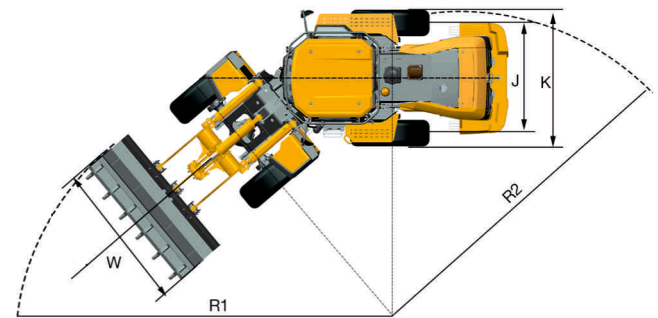
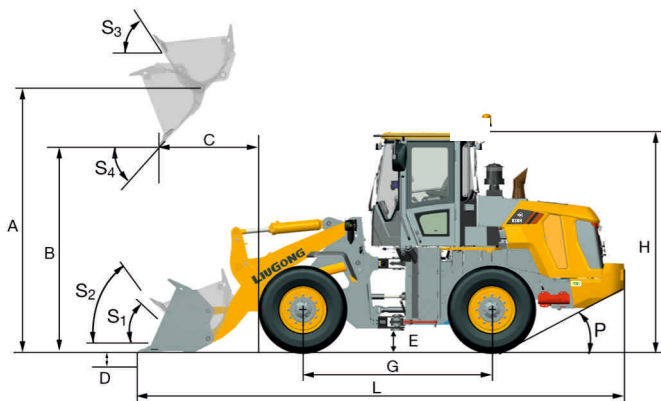
Tipping Load- Straight	9280 kg
Tipping Load- Full Turn	7900 kg
Bucket Breakout Force	125 kN
A-Hinge Pin Height, Fully Raised	3998 mm
B-Dumping Height, Fully Raised	2950 mm
C-Dumping Reach, Fully Raised	1060 mm
D-Max. Digging Depth	40 mm
E-Min. Ground Clearance	318 mm
G-Wheel Base	2870 mm
H-Overall Height (Top of Cab)	3340 mm
J-Tread Width	2054 mm
K-Overall Width (Outside of Wheel)	2500 mm
L-Overall Length	7400 mm
W-Overall Width of Bucket	2704 mm
P-Departure Angle	30°
S1-Bucket Rollback At Ground Level	41°
S2-Bucket Rollback At Carry	48°
S3-Bucket Roll Back At Maximum	60°
S4-Maximum Dump Angle At Full Height	45°
R1-Turning Radius (Outside of Bucket)	5750 mm
R2-Turning Radius (Outside of Rear Wheel)	4900 mm

## SERVICE CAPACITIES

Fuel Tank	165 L
Engine Oil	18 L
Adblue	24 L
Cooling System	30 L
Transmission & Torque Converter	34 L
Hydraulic System	103 L
Axle Oil Each	22 L

## OPTIONAL

- Certified ROPS/FOPS Cabin
- Automatic Centralized Lubrication
- Automatic Fire Suppression System
- Rear View Camera
- Audio Visual Alarm
- Rotary Beacon
- Cabin Guard



All parameters within (±) 2.5% of the specified values. Specification are subject to change without notice. LiuGong standard and optional equipment may vary from region to region. Please consult your LiuGong dealer for information specific to your area.

**Corporate office**  
**LiuGong India Pvt. Ltd.**  
 82, Okhla Industrial Estate, Phase III  
 New Delhi- 110020  
 Tel.: 011- 47272200  
 www.liugong.com  
 liugongindia.com

**Plant Address:**  
 Plot No. 163, Industrial Area,  
 Sector - III, Pithampur,  
 Dist. - Dhar, Madhya Pradesh - 454774  
 Tel.: 07292-416700

Mera LiuGong Mera Vishwas  
**1800 1033 852**