



BUILT IN **BHARAT**

Excellence Series

Engine	Cummins 4BT3.9
Gross Power	100 hp @ 2,200 rpm
Bucket Capacity	0.65 m ³ XD/0.73 m ³ GP
Digging Depth	5,068 mm
Operating Weight	13,800 Kg
Cabin	Air Conditioned

915E EXCAVATOR

TOUGH WORLD. TOUGH EQUIPMENT.

915E SPECIFICATIONS. >>>



ENGINE

Make	CUMMINS
Model	4BT3.9
Gross Power	100 hp @ 2,000 rpm
Peak Torque	385 N·m @ 1,300 rpm
Number of Cylinders	4
Displacement	3.9 L
Aspiration	Turbocharged

HYDRAULIC SYSTEM

Main Pump Type	Two Variable Displacement Piston Pumps
Main Pump Flow	2 x 120 LPM
Pilot Pump Flow	19 LPM
Implementation System Pressure	34.3 MPa
Travel System Pressure	34.3 MPa
Swing System Pressure	25 MPa
Pilot System Pressure	3.9 MPa

SWING SYSTEM

Swing Speed	12.9 rpm
Swing Motor	Axial Piston Motor
Swing Reduction	Planetary Gear
Swing Bearing	Lubrication Grease Bathed

DRIVE SYSTEM

Drive Type	Hydrostatic
Drive Motor	Axial Piston Motor
Drive Reduction	Planetary Gear
Max. Drawbar Pull	122 kN
Travel Speed (High/Low)	(5.1/3.3) Km/h
Gradeability	70% (35°)

UNDERCARRIAGE

Track Shoe Width (Triple Grouser)	500 mm
No. of Track Shoes	45 Each Side
No. of Track Guard	2 Each Side
No. of Upper Rollers	1 Each Side
No. of Bottom Rollers	7 Each Side

OPERATING WEIGHT

Operating Weight	13,800 kg
Shoe Ground Pressure	42.5 kPa

SERVICE CAPACITIES

Fuel Tank	245 L
Engine Oil	14 L
Cooling System	21 L
Hydraulic Oil Tank	160 L
Hydraulic System Total	240 L
Swing Device	3 L
Travel Device	5.5 Lx2

OPTIONAL

RB Pipeline
I-Link (GPS)
Cabin Top Light

BUCKETS

XD Bucket	0.65 m ³
GP Bucket	0.73 m ³

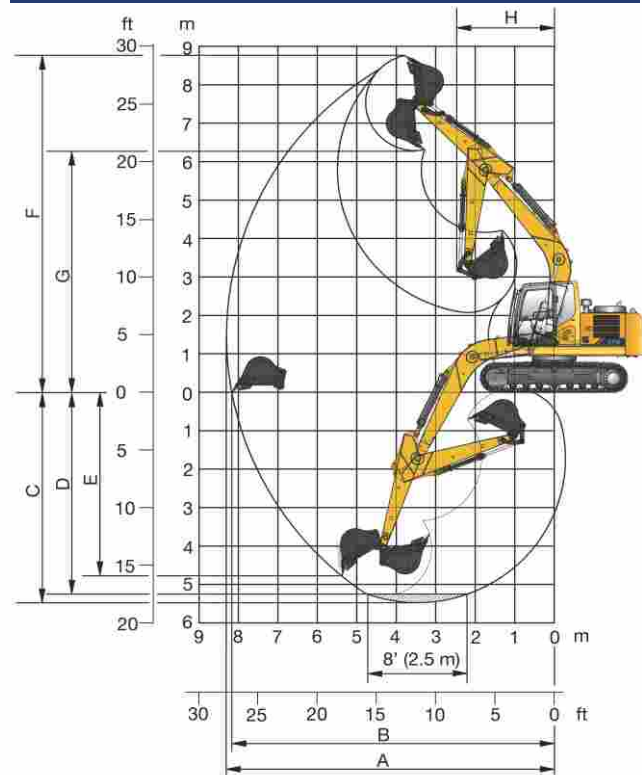
ELECTRICAL SYSTEM

Voltage	24 V
Battery	12 V, 100Ah x2
Working Lights	3

DIMENSIONS

Boom Length	4,600 mm
Arm Length	2,100 mm
A Dig Height	8,480 mm
B Dump Height	6,024 mm
C Dig Depth	5,068 mm
D Dig Depth of Vertical	4,428 mm
E Depth of 8 Bottom	4,828 mm
F Max Reach	7,924 mm
G Reach at Ground Level	7,784 mm
H Min Swing Radius	2,400 mm
ISO Bucket Breakout Force (Boost)	89.8 (96.9) kN
ISO Arm Breakout Force (Boost)	73.5 (79.4) kN

WORKING DIMENSIONS (Reference Bucket - 0.73 m³)



STATIC DIMENSIONS



Corporate office
LiuGong India Pvt. Ltd.
 82, Okhla Industrial Estate, Phase III
 New Delhi- 110020
 Tel.: 011- 47272200
 www.liugong.com
 india@liugong.com

Plant Address:
 Plot No. 163, Industrial Area,
 Sector - III, Pithampur,
 Dist. - Dhar, Madhya Pradesh - 454774
 Tel.: 07292-416700

Specifications and designs are subject to change without notice. Machines shown may include optional equipment.

Mera LiuGong Mera Vishwas
1800 1033 852